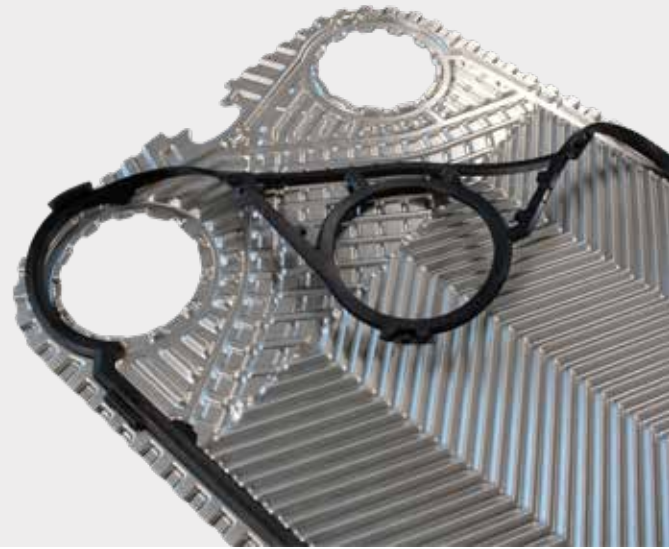
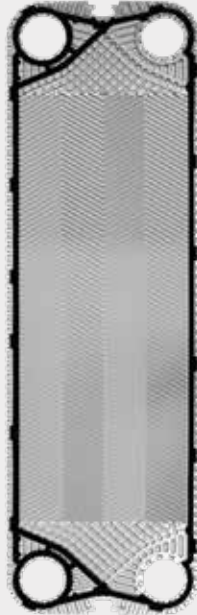


# Plate Heat Exchanger AF80 Series

AF81



SonFlow



SonFlow offers a wide range of AHRI-certified® products, including the AF80 series. The series is certified in the category of "AHRI Liquid to Liquid Heat Exchangers," which confirms the thermal performance according to the specified specifications. With the AF80 series, SonFlow offers a reliable and efficient single-pass solution that is suitable for many different applications. This is a cost-effective solution that ensures optimal heat transfer and minimal maintenance.

## Typical applications:

- Food and beverage
- HVAC-R
- General industry
- Chemical industry

- Leak chamber
- Fixed bolt head
- Lifting lug
- Lining
- Lock washer

## Features:

Every detail is carefully designed to ensure optimal performance, reduced maintenance costs and decreased downtime:

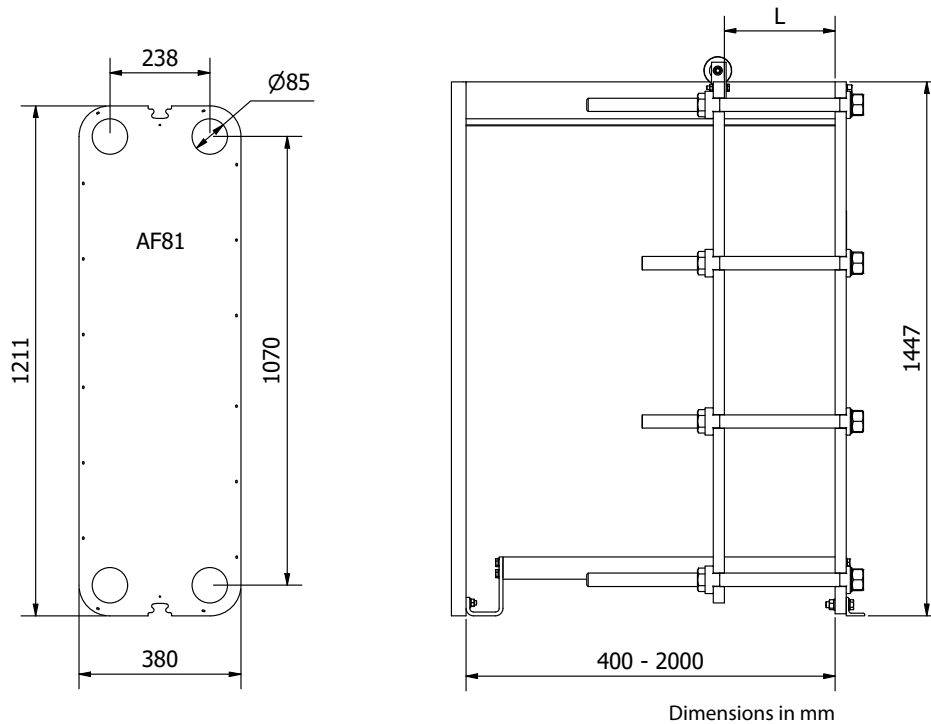
- Compact design
- High flexibility
- Gentle product handling
- Design pressure up to 25 bar
- Operating temperature: up to 180° C

## Benefits:

- Lower operating costs
- Cost-effective
- Easy assembly
- Increased energy efficiency
- Easy cleaning
- Dead spots causing corrosion and fouling are eliminated



SonFlow



### Design pressure:

- Painted frames: 1.0/1.6 MPa (145/232 PSI)

### Construction standards:

- EN13445
- ASME sec VIII, Div. 1

### Frame:

- Painted frame, RAL 5010 (available in other colours)

### Connections:

- DN 80/3" threaded pipe, BSP/NPT, stainless steel or titanium
- According to all known standards

### Plate material:

- AISI 304/316 and titanium
- Other materials available on request

### Gaskets:

- Hang-on gasket
- Materials: NBR, EPDM and Viton
- Other materials available on request

### Accessories:

- Drip tray
- Insulation jackets
- Safety cover
- Assembling spanner
- Foundation feet



AHRI Certified® is the trusted mark of performance for heating, air conditioning, water heating, and commercial refrigeration equipment. To find AHRI Certified products, go to [www.ahridirectory.org](http://www.ahridirectory.org).

### Certificerede products in the AF80 Series

Model	Fluids	AHRI-Ref.
AF81	W, S, PG	217334113
AF81	EG	217336150

#### Fluids

EG = Ethylene Glycol  
 W = Water  
 S = Seawater  
 PG = Propylene Glycol