

# Wastewater Pumps

## DanPumps S-WN5 - 50 Hz

### Product Applications

The DanPumps S-WN5 pump is specifically designed for wastewater applications and offers high hydraulic efficiencies, ranging from 75-200 kW. It is suitable for untreated wastewater from sewage plants and industrial facilities.

### Design

The characteristics of our wastewater pumps are high quality, long lifetime and user-friendly design. The DanPumps S-WN5 pump can be delivered as horizontal or vertical installation and with either a channel, a vortex or a B-tween impeller.



### Materials

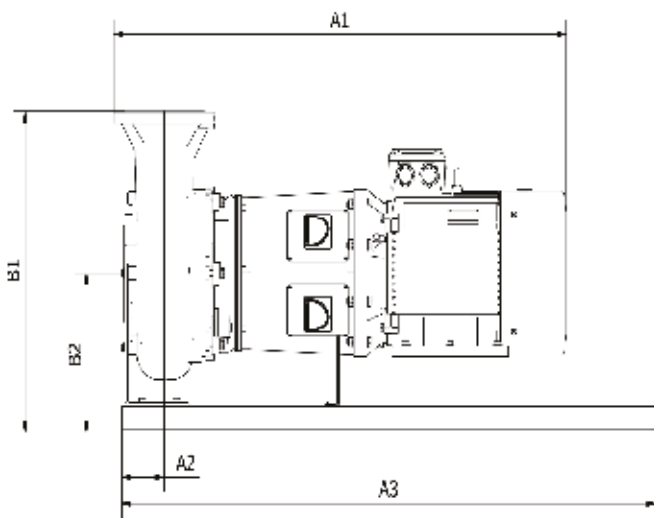
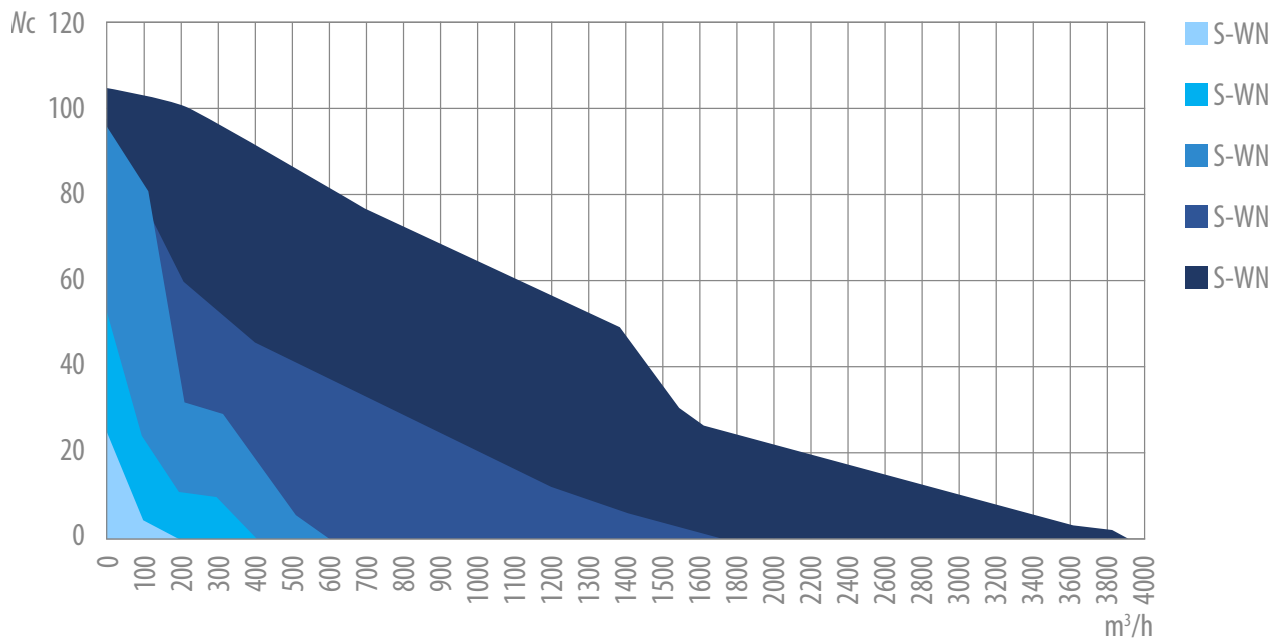
Pump Housing, base elbow, cartridge seal	Grey cast iron	GJL-250 (GG25)	A-48 Class35
Impeller (cast iron) adapter	Ductile cast iron	GJS-400-15 (GGG-40)	A536 GR 65-45
Option: Stainless steel impeller	Stainless cast steel	W.Nr.1.4401	AISI 316
Shaft	Stainless steel	W.Nr.1.4057	AISI 431
Seal sleeve, screws	Stainless steel	W.Nr.1.4301	AISI 304
O-rings	Nitrile	NBR	
Oil	Mobil DTE 24	Premium Hydraulic	
Mechanical seal	Media side: SIC/SIC	Cooling side: SIC/Carbon	
Motor	Standard	IP55 IE3	

### Operation standards:

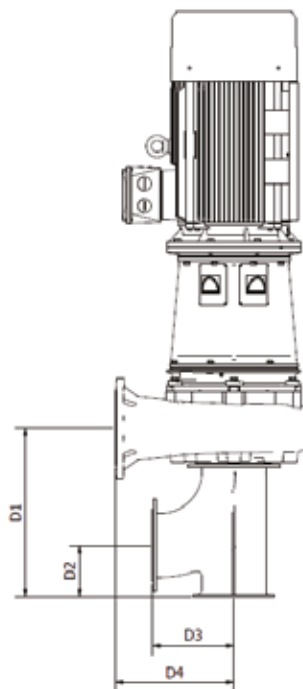
- Connections up to DN400.
- Flow rate up to 3500 m<sup>3</sup>/h.
- Overheating and moisture protection.
- Channel, vortex and B-tween impellers within the same volute.
- Equipped with double mechanical cartridge seal.
- Standard motor IP55 IE3.
- Long lifetime due to accurate balancing.
- Customized solutions through a modular system.
- Easy maintenance.
- Adjustable wear ring.



## Performance Curves - Complete DanPumps S-WN1 to DanPumps S-WN5 Range - 50 Hz



DanPumps S-WN5 - Horizontal Installation



DanPumps S-WN5 - Vertical Installation

Type	A1	A2	A3	B1	B2	D1	D2	D3	D4
S-WN5-200-2L-M315	2215 mm	166 mm	2200 mm	1166 mm	640 mm	600 mm	190 mm	260 mm	526 mm
S-WN5-300-2L-M315	2304 mm	190 mm	2200 mm	1224 mm	640 mm	832 mm	255 mm	400 mm	584 mm
S-WN5-400-2L-M315	2375 mm	266 mm	2200 mm	1440 mm	640 mm	1070 mm	320 mm	500 mm	800 mm