

# Plate Heat Exchanger AF100HE Series

AF106HE & AF107HE



SonFlow offers a wide range of AHRI-certified® products, including the AF100HE series. The series is certified in the category of "AHRI Liquid to Liquid Heat Exchangers," which confirms the thermal performance according to the specified specifications.

The SonFlow plate heat exchanger AF100HE series is designed with a lower press depth and is ideal for applications that require precise temperature control. These plates can maintain a temperature difference as low as 0.5°C between the two circuits.

## Typical applications:

- HVAC-R
- General industry
- Marine
- Chemical industry
- Electronics
- Data centres
- Solar panel system

- Design pressure up to 25 bar
- Operating temperature: up to 180° C
- Leak chamber
- Fixed bolt head
- Option for lifting lug
- Lining
- Lock washer

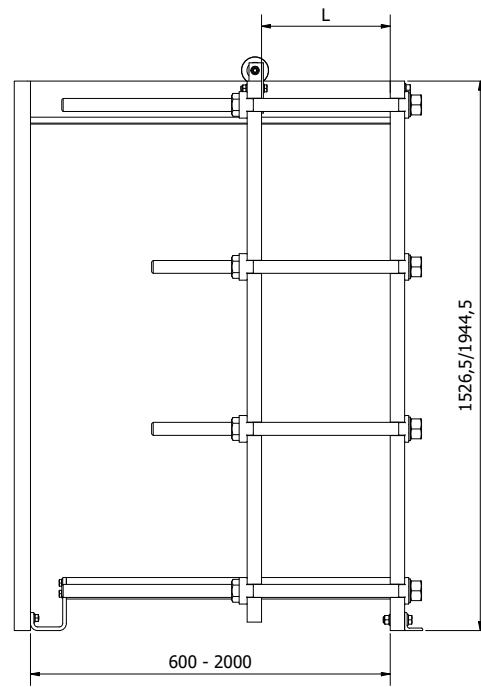
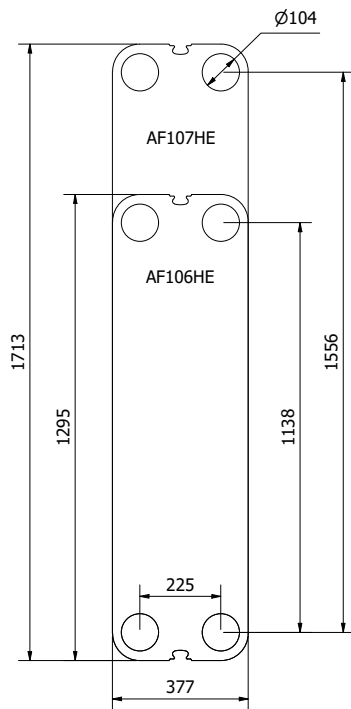
## Features:

Every detail is carefully designed to ensure optimal performance, reduced maintenance costs and decreased downtime:

- Compact design
- High flexibility
- Gentle product handling

## Benefits:

- Lower operating costs
- Cost-effective
- Easy assembly
- Increased energy efficiency
- Easy cleaning
- Dead spots, that cause corrosion and fouling are eliminated



Dimensions in mm

## Design pressure:

- Painted frames: 1.0/1.6/2.5 MPa (145/232/362 PSI)

## Construction standards:

- EN13445
- ASME sec VIII, Div. 1

## Frame:

- Painted frame, RAL 5010 (available in other colours)

## Connections:

- DN 100/4" flange in AISI 316 or titanium
- According to all known standards

## Plate material:

- AISI 304/316 and titanium
- Other materials available on request

## Gaskets:

- Choose between Hang-on or glued gasket
- Materials: NBR, EPDM and Viton
- Other materials available on request

## Accessories:

- Drip tray
- Insulation jackets
- Safety cover
- Assembling spanner
- Foundation feet



AHRI-Certified® er en anerkendt certificering af produkter til varme, ventilation, aircondition og vandopvarmning og -køling. For at finde AHRI certificerede produkter kan du gå til [www.ahridirectory.org](http://www.ahridirectory.org).

## Certificerede produkter i AF100HE Serien

Model	Væske	AHRI-Ref.
AF106HE	W, S, PG	217334114
AF106HE	EG	217336164
AF107HE	W, S, PG	217334120
AF107HE	EG	217336153

### Væsker:

EG = Ethylenglykol  
 W = Vand  
 S = Havvand  
 PG = Propylenglykol