

Wastewater Pumps

DanPumps S-WP2 - 50 Hz

Product Applications

The DanPumps S-WP2 pump is designed for wastewater applications especially for water with a high content of solids or fibrous medias.

Design

The characteristics of our wastewater pumps are high quality, long lifetime, and user-friendly design. The DanPumps S-WP2 pump can be delivered as a dry, wet, or portable installation and with either a channel, vortex or B-tween impeller.

Materials

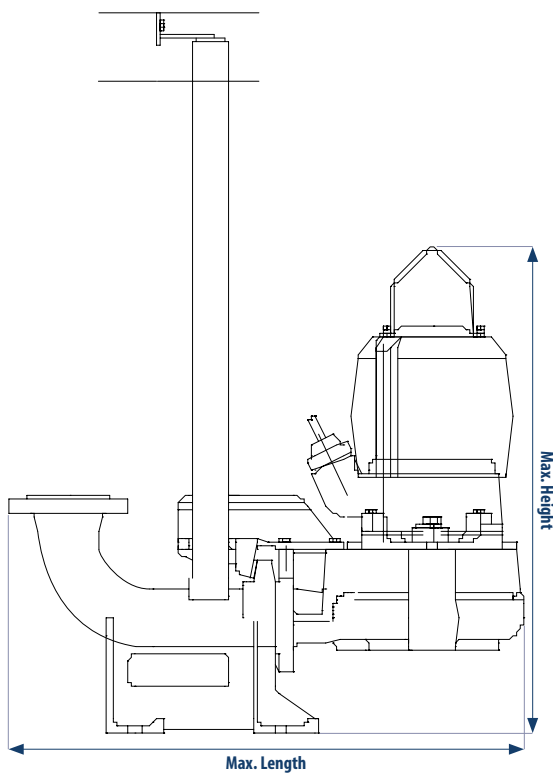
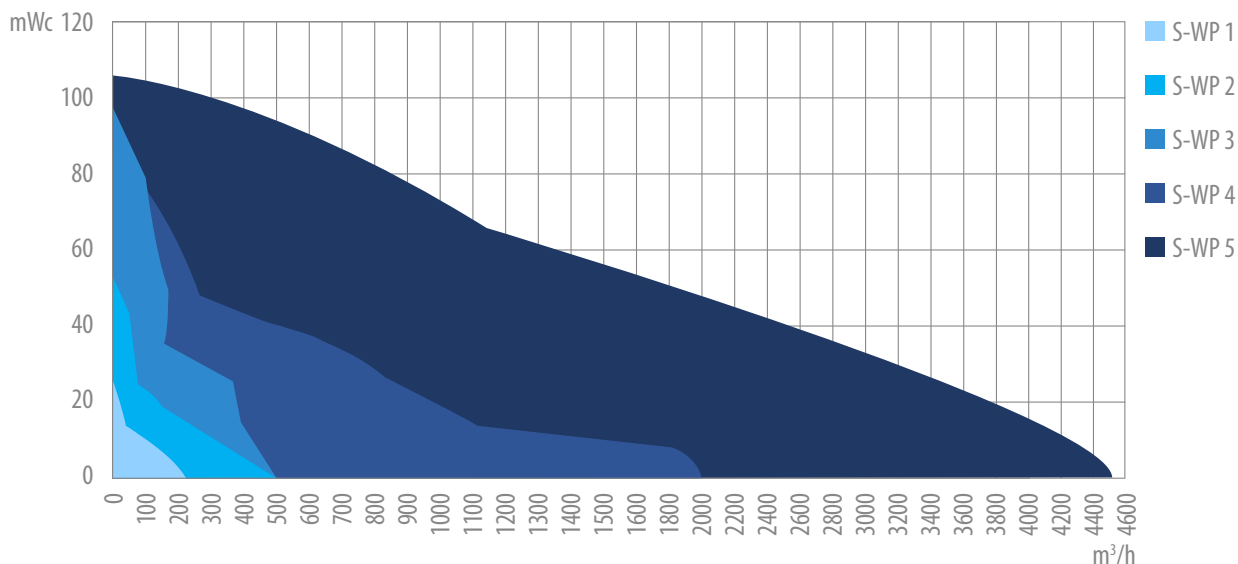
| | | | |
|--|----------------------|--------------------------|---------------|
| Pump Housing, base elbow, cartridge seal | Grey cast iron | GJL-250 (GG25) | A-48 Class35 |
| Impeller (cast iron) adapter | Ductile cast iron | GJS-400-15 (GGG-40) | A536 GR 65-45 |
| Option: Stainless steel impeller | Stainless cast steel | W.Nr.1.4401 | AISI 316 |
| Shaft | Stainless steel | W.Nr.1.4057 | AISI 431 |
| Seal sleeve, screws | Stainless steel | W.Nr.1.4301 | AISI 304 |
| Coolant | 30% Propylene glycol | 70% water | |
| O-rings | Nitrile | NBR | |
| Oil | Mobil DTE 24 | Premium Hydraulic | |
| Mechanical seal | Media side: SIC/SIC | Cooling side: SIC/Carbon | |
| Motor | Siemens | IE3 | Class F |

Operation Standards:

- Connections up to DN150.
- Flow rate up to 300 m³/h.
- Overheating and moisture protection.
- Channel, vortex and B-tween impellers in the same volute.
- Double mechanical cartridge seal.
- High-efficient motors.
- Long lifetime due to accurate balancing.
- Customized solutions and a modular system.
- All DanPumps S-WP pumps can be fitted with closed cooling jacket.
- Easy maintenance.
- Adjustable wear ring.

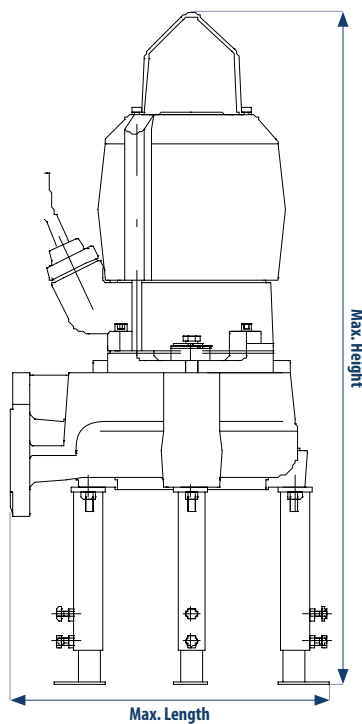


Performance Curves - Complete DanPumps S-WP1 to DanPumps S-WP5 Range - 50 Hz

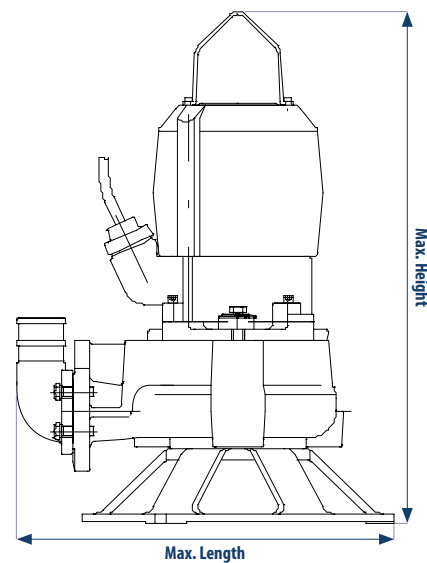


DanPumps S-WP2 - Wet Pit Installation

Please note cooling jacket is an optional choice.



DanPumps S-WP2 - Dry Pit Installation



DanPumps S-WP2 - Portable Installation

| Type | kW P2 | Rpm | Inlet in mm | Outlet flang |
|-------------|-------|------|-------------|--------------|
| S-WP2-80-2 | 6.5 | 2900 | 70 | DN80 |
| S-WP2-80-2 | 9 | 2900 | 70 | DN80 |
| S-WP2-100-6 | 2.5 | 940 | 100 | DN100 |
| S-WP2-100-4 | 4 | 1440 | 100 | DN100 |
| S-WP2-100-4 | 6 | 1440 | 100 | DN100 |
| S-WP2-100-4 | 7 | 1440 | 100 | DN100 |
| S-WP2-150-6 | 2.5 | 940 | 100 | DN150 |
| S-WP2-150-4 | 4 | 1440 | 100 | DN150 |
| S-WP2-150-4 | 6 | 1440 | 100 | DN150 |
| S-WP2-150-4 | 7 | 1440 | 100 | DN150 |

| Type | Installation | Max. Height | Max. Width | Max. Length |
|-----------|--------------|-------------|------------|-------------|
| S-WP2-80 | Wet Pit | 908 mm | 342 mm | 915 mm |
| | Dry Pit | 1045 mm | 342 mm | 467 mm |
| | Portable | 818 mm | 515 mm | 603 mm |
| S-WP2-100 | Wet Pit | 908 mm | 389 mm | 915 mm |
| | Dry Pit | 1143 mm | 460 mm | 507 mm |
| | Portable | 926 mm | 500 mm | 633 mm |
| S-WP2-150 | Wet Pit | 967 mm | 442 mm | 1062 mm |
| | Dry Pit | 1171 mm | 460 mm | 586 mm |
| | Portable | 945 mm | 509 mm | 752 mm |