

Plate Heat Exchanger SF100HE Series

SF106HE & SF107HE



The SonFlow plate heat exchanger SF100HE series is designed with a lower press depth and is ideal for applications that require precise temperature control. These plates can maintain a temperature difference as low as 0.5°C between the two circuits, ensuring optimal heat transfer and high efficiency.

Typical applications:

- HVAC-R
- General industry
- Marine
- Chemical industry
- Electronics
- Data centres
- Solar panel system

- Leak chamber
- Fixed bolt head
- Option for lifting lug
- Lining
- Lock washer

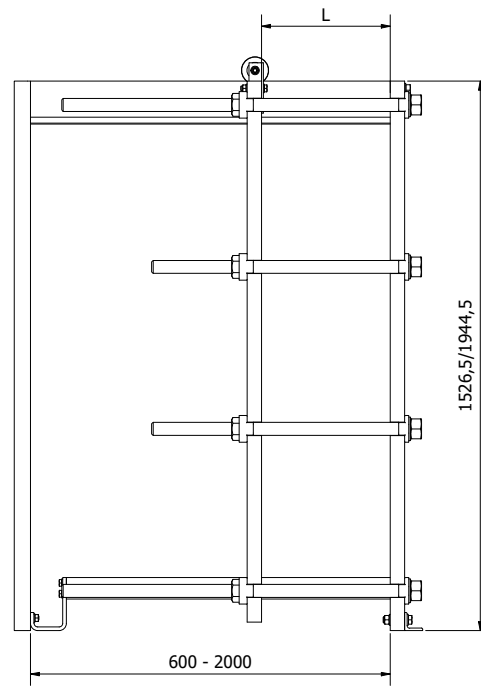
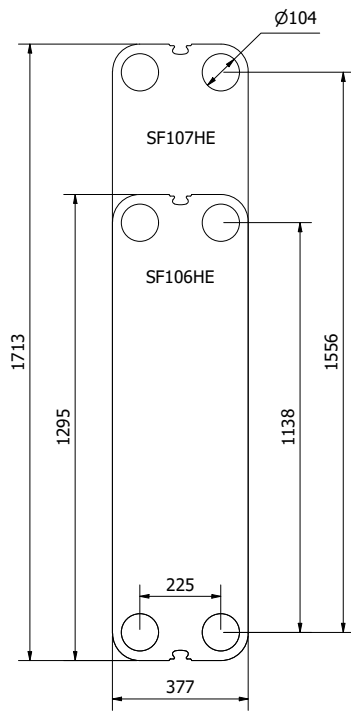
Features:

Every detail is carefully designed to ensure optimal performance, reduced maintenance costs and decreased downtime:

- Compact design
- High flexibility
- Gentle product handling
- Design pressure up to 25 bar
- Operating temperature: up to 180° C

Benefits:

- Lower operating costs
- Cost-effective
- Easy assembly
- Increased energy efficiency
- Easy cleaning
- Dead spots, that cause corrosion and fouling are eliminated



Dimensions in mm

Design pressure:

- Painted frames: 1.0/1.6/2.5 MPa (145/232/362 PSI)

Construction standards:

- EN13445
- ASME sec VIII, Div. 1

Frame:

- Painted frame, RAL 5010 (available in other colours)
- Stainless steel frame

Connections:

- DN 100/4" flange in AISI 316 or titanium
- According to all known standards

Plate material:

- AISI 304/316 and titanium
- Other materials available on request

Gaskets:

- Choose between Hang-on or glued gasket
- Materials: NBR, EPDM and Viton
- Other materials available on request

Accessories:

- Drip tray
- Insulation jackets
- Safety cover
- Assembling spanner
- Foundation feet