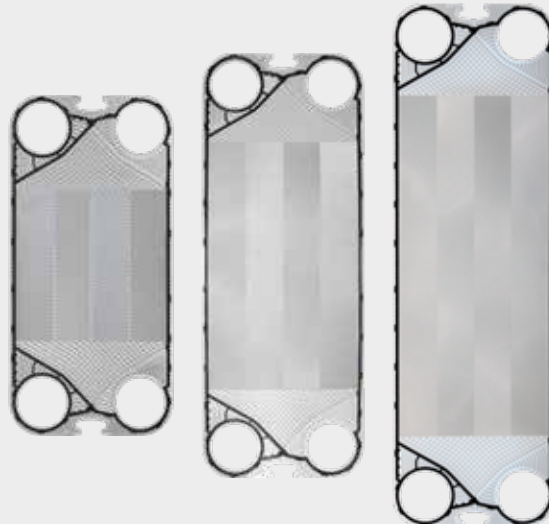


Plate Heat Exchanger AF200 Series

AF201, AF202, AF203, AF204 & AF205



SonFlow offers a wide range of AHRI-certified® products, including the AF200 series. The series is certified in the category of "AHRI Liquid to Liquid Heat Exchangers," which confirms the thermal performance according to the specified specifications. With the AF200 series, SonFlow offers a reliable and efficient single-pass solution that is suitable for many different applications. This is a cost-effective solution that ensures optimal heat transfer and minimal maintenance.

Typical applications:

- HVAC-R
- Geothermal
- General industry
- Marine
- Chemical industry
- Sugar industry
- Mining
- Electronics

- Design pressure up to 25 bar
- Operating temperature up to 180° C
- Leak chamber
- Fixed bolt head
- Lifting lug
- Lining
- Lock washer

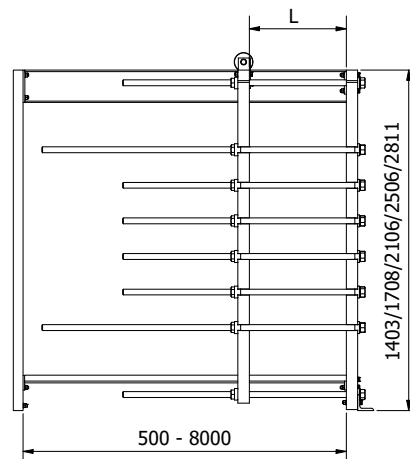
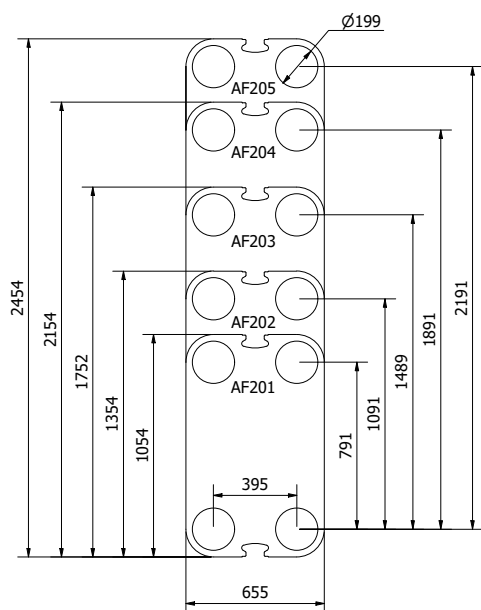
Features:

Every detail is carefully designed to ensure optimal performance, reduced maintenance costs and decreased downtime:

- Compact design
- High flexibility
- Gentle product handling

Benefits:

- Lower operating costs
- Cost-effective
- Easy assembly
- Increased energy efficiency
- Easy cleaning
- Dead spots, that cause corrosion and fouling are eliminated



Dimensions in mm

Design pressure:

- Painted frames: 1.0/1.6/2.5 MPa (145/232/362 PSI)

Construction standards:

- EN13445
- ASME sec VIII, Div. 1

Frame:

- Painted frame, RAL 5010 (available in other colours)

Connections:

- DN 200/8" flange in carbon steel, rubber lined or clad with AISI 316 or titanium
- According to all known standards

Plate material:

- AISI 304/316 and titanium
- Other materials available on request

Gaskets:

- Choose between Hang-on or glued gaskets
- Materials: NBR, EPDM and Viton
- Other materials available on request

Accessories:

- Drip tray
- Insulation jackets
- Safety cover
- Assembling spanner
- Foundation feet



AHRI Certified® is the trusted mark of performance for heating, air conditioning, water heating, and commercial refrigeration equipment.

To find AHRI Certified products, go to www.ahridirectory.org.

Certificerede products in the AF200 Series

Model	Fluids	AHRI-Ref.
AF201	W, S, PG	217334129
AF201	EG	217336151
AF202	W, S, PG	217334117
AF202	EG	217336135
AF203	W, S, PG	217334111
AF203	EG	217336166
AF204	W, S, PG	217334124
AF204	EG	217336147
AF205	W, S, PG	217334127
AF205	EG	217336158

Fluids

EG = Ethylene Glycol

W = Water

S = Seawater

PG = Propylene Glycol