



SonFlow

Plate Heat Exchanger AF50 Series

AF51



SonFlow tilbyder et bredt udvalg af AHRI-certified® produkter, herunder AF50-serien. Serien er certificeret i kategorien "AHRI Liquid to Liquid Heat Exchangers", hvilket garanterer den termiske ydeevne i forhold til de angivne specifikationer. Med AF50-serien tilbyder SonFlow en pålidelig og effektiv single-pass løsning, der er velegnet til mange forskellige applikationer. Det er en omkostningseffektiv løsning, der sikrer optimal varmeoverførsel og minimal vedligeholdelse.

Typical applications:

- HVAC-R
- Geothermal
- Marine
- Food and beverage
- General industry
- Chemical industry
- Mining

- Design pressure up to 25 bar
- Operating temperature: up to 180° C
- Leak chamber
- Fixed bolt head
- Lifting lug
- Lining
- Lock washer

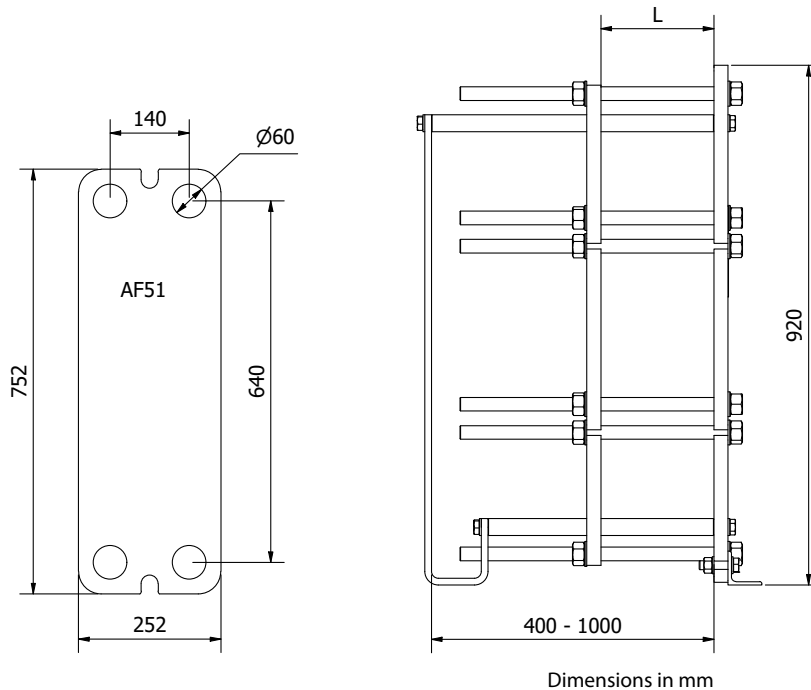
Features:

Every detail is carefully designed to ensure optimal performance, reduced maintenance costs and decreased downtime:

- Compact design
- High flexibility
- Gentle product handling

Benefits:

- Lower operating costs
- Cost-effective
- Easy assembly
- Increased energy efficiency
- Easy cleaning
- Dead spots, that cause corrosion and fouling are eliminated



Design pressure:

- Painted frames: 1.6/2.5 MPa (232/362 PSI)

Construction standards:

- EN13445
- ASME sec VIII, Div. 1

Frame:

- Painted frame, RAL 5010 (available in other colours)

Connections:

- DN 50/2" flange in carbon steel, rubber lined or clad with AISI 316 or titanium
- 2" threaded pipe, BSP/NPT, Stainless steel or titanium
- According to all known standards

Plate material:

- AISI 304/316 and titanium
- Other materials available on request

Gaskets:

- Hang-on gaskets
- Materials: NBR, EPDM and Viton
- Other materials available on request

Accessories:

- Drip tray
- Insulation jackets
- Safety cover
- Assembling spanner
- Foundation feet



AHRI Certified® is the trusted mark of performance for heating, air conditioning, water heating, and commercial refrigeration equipment.

To find AHRI Certified products, go to www.ahridirectory.org.

Certificerede products in the AF50 Series

Model	Fluids	AHRI-Ref.
AF51	W, S, PG	217334119
AF51	EG	217336140

Fluids

EG = Ethylene Glycol
 W = Water
 S = Seawater
 PG = Propylene Glycol