

# Wastewater Pumps

## DanPumps S-WN4 - 50 Hz

### Product Applications

The DanPumps S-WN4 pump is specifically designed for wastewater applications and offers high hydraulic efficiencies ranging from 18-65 kW. It is suitable for untreated wastewater from sewage plants and industrial facilities.

### Design

The characteristics of our wastewater pumps are high quality, long lifetime and user-friendly design. The DanPumps S-WN4 pump can be delivered as horizontal or vertical installation and with either a channel, a vortex or a B-tween impeller.



### Materials

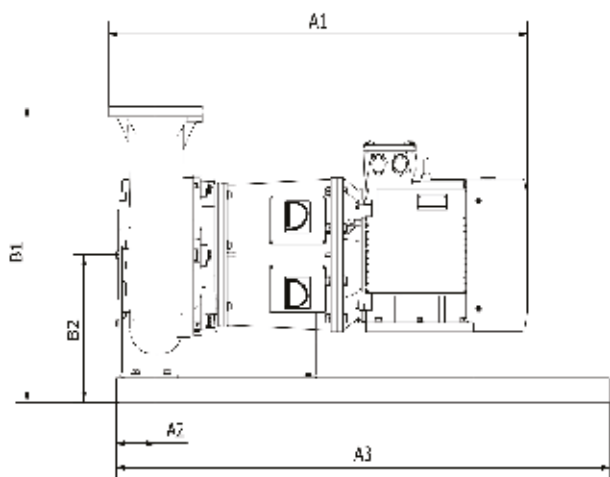
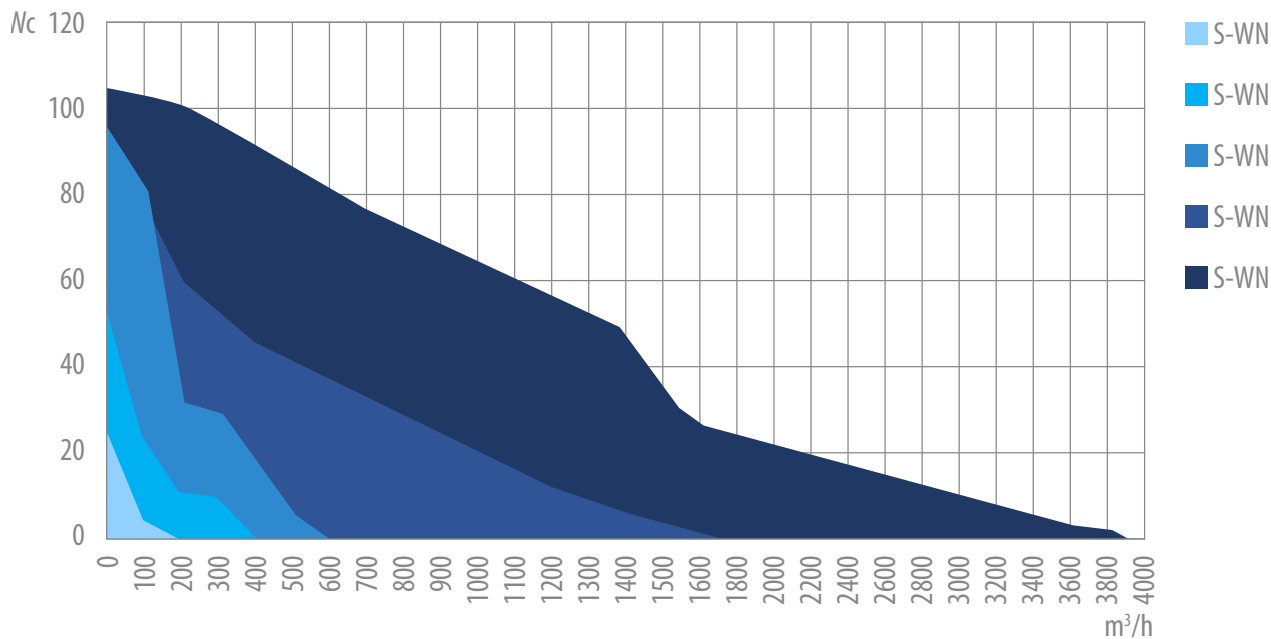
Pump Housing, base elbow, cartridge seal	Grey cast iron	GJL-250 (GG25)	A-48 Class35
Impeller (cast iron) adapter	Ductile cast iron	GJS-400-15 (GGG-40)	A536 GR 65-45
Option: Stainless steel impeller	Stainless cast steel	W.Nr.1.4401	AISI 316
Shaft	Stainless steel	W.Nr.1.4057	AISI 431
Seal sleeve, screws	Stainless steel	W.Nr.1.4301	AISI 304
O-rings	Nitrile	NBR	
Oil	Mobil DTE 24	Premium Hydraulic	
Mechanical seal	Media side: SIC/SIC	Cooling side: SIC/Carbon	
Motor	Standard	IP55 IE3	

### Operation standards:

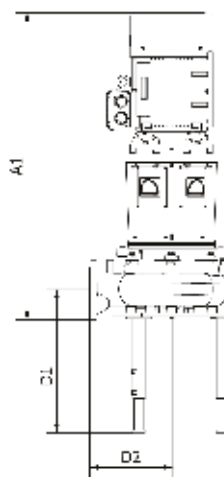
- Connections up to DN300.
- Flow rate up to 1200 m<sup>3</sup>/h.
- Overheating and moisture protection.
- Channel, vortex and B-tween impellers within the same volute.
- Equipped with double mechanical cartridge seal.
- Standard motor IP55 IE3 2 - 4 - 6 pole.
- Long lifetime due to accurate balancing.
- Customized solutions through a modular system.
- Easy maintenance.
- Adjustable wear ring.



## Performance Curves - Complete DanPumps S-WN1 to DanPumps S-WN5 Range - 50 Hz



DanPumps S-WN4 - Horizontal Installation



DanPumps S-WN4 - Vertical Installation

Type	A1	A2	A3	B1	B2	D1	D2
S-WN4-100-2L-M180	1345 mm	128.5 mm	110.5 mm	820 mm	420 mm	455-555 mm	400 mm
S-WN4-100-2L-M200	1450 mm	128.5 mm	110.5 mm	820 mm	420 mm	455-555 mm	400 mm
S-WN4-100-2L-M225	1437 mm	128.5 mm	110.5 mm	820 mm	420 mm	455-555 mm	400 mm
S-WN4-100-2L-M250	1567 mm	128.5 mm	110.5 mm	820 mm	420 mm	455-555 mm	400 mm
S-WN4-100-2L-M280	1662 mm	128.5 mm	110.5 mm	820 mm	420 mm	455-555 mm	400 mm
S-WN4-150-2L-M180	1348 mm	124 mm	136 mm	817 mm	420 mm	551-731 mm	397.5 mm
S-WN4-150-2L-M200	1494 mm	124 mm	136 mm	817 mm	420 mm	551-731 mm	397.5 mm
S-WN4-150-2L-M225	1481 mm	124 mm	136 mm	817 mm	420 mm	551-731 mm	397.5 mm
S-WN4-150-2L-M250	1610 mm	124 mm	136 mm	817 mm	420 mm	551-731 mm	397.5 mm
S-WN4-150-2L-M280	1706 mm	124 mm	136 mm	817 mm	420 mm	551-731 mm	397.5 mm
S-WN4-200-2L-M180	1426 mm	136 mm	143 mm	856.5 mm	420 mm	559-738 mm	436.5 mm
S-WN4-200-2L-M200	1539 mm	136 mm	143 mm	856.5 mm	420 mm	559-738 mm	436.5 mm
S-WN4-200-2L-M225	1526 mm	136 mm	143 mm	856.5 mm	420 mm	559-738 mm	436.5 mm
S-WN4-200-2L-M250	1655 mm	136 mm	143 mm	856.5 mm	420 mm	559-738 mm	436.5 mm
S-WN4-200-2L-M280	1751 mm	136 mm	143 mm	856.5 mm	420 mm	559-738 mm	436.5 mm
S-WN4-250-2L-M180	1454.5 mm	146 mm	155 mm	910.5 mm	420 mm	770-950 mm	480.5 mm
S-WN4-250-2L-M200	1567.5 mm	146 mm	155 mm	910.5 mm	420 mm	770-950 mm	480.5 mm
S-WN4-250-2L-M225	1555.5 mm	146 mm	155 mm	910.5 mm	420 mm	770-950 mm	480.5 mm
S-WN4-250-2L-M250	1684 mm	146 mm	155 mm	910.5 mm	420 mm	770-950 mm	480.5 mm
S-WN4-250-2L-M280	1747 mm	146 mm	155 mm	910.5 mm	420 mm	770-950 mm	480.5 mm
S-WN4-300-2L-M180	1511 mm	173 mm	189 mm	1127.5 mm	420 mm	804-984 mm	587.5 mm
S-WN4-300-2L-M200	1624 mm	173 mm	189 mm	1127.5 mm	420 mm	804-984 mm	587.5 mm
S-WN4-300-2L-M225	1611 mm	173 mm	189 mm	1127.5 mm	420 mm	804-984 mm	587.5 mm
S-WN4-300-2L-M250	1740 mm	173 mm	189 mm	1127.5 mm	420 mm	804-984 mm	587.5 mm
S-WN4-300-2L-M280	1836 mm	173 mm	189 mm	1127.5 mm	420 mm	804-984 mm	587.5 mm